

Sarix Enhanced 4 and 4P Series Dome Camera

2 MP

4 MP

6 MP

8 MP

The Sarix Enhanced 4 Series camera line, consisting of the 4 and 4P Series dome cameras, introduces new analytic capabilities and sets an even higher standard for security by simultaneously running multiple analytics. Extract more information and in greater detail to optimize threat detection and response efficiency.



Features



Protect More Things at Once

Leverage Pelco Smart Analytics, powered by Motorola Solutions, to detect human and vehicle events. Enhance capabilities further with advanced features such as crowd thresholds, basic feature identification, vehicle type differentiation, privacy masking¹, person crawling and audio analytics.²



Secured From the Inside Out

The Sarix Enhanced 4 Series camera ensures high data-security with onboarded TPM, Secure Boot, and FIPs-140-2 level 3 compliance. Manufactured in North America, NDAA and TAA-compliant, it's an ideal choice for security-focused businesses and organizations.



Enhanced Clarity and Coverage

Capture crucial details and provide valuable evidence with clearer, sharper footage. Record up to 60 frames per second for fast-moving objects. Ensure optimal security day and night with wider dynamic range, split IR dome and IR illumination options.



Elevate Enabled

Enhance your camera management with cloud-based AI intelligence, seamlessly integrating with your existing system. Cut maintenance costs by automating camera checks and receiving notifications for image health or cloud connection changes.³



Resilient in Every Condition

Save on maintenance and operational costs with the camera's durability. Handle even more extreme weather conditions with wider operating temperature ranges and IP66, 67, 68 and IK10/11 ratings.⁴



Increased Compatibility with Pelco Connect

Easily integrate Sarix Enhanced 4 with any third-party VMS using ONVIF S, G, T, and M conformance. Genetec and Milestone users have the ability to unlock analytics to their full potential with the introduction of Pelco Connect. This powerful add-on provides access to a range of advanced functionalities.

¹ Privacy masking to be available post-launch via a firmware upgrade.

² Crowd Threshold, Vehicle Subclasses and Facet Metadata capabilities will be dependent on VMS and configuration availability. Audio Analytics is not available on the 4P Series camera.

³ Elevate connectivity to be available post-launch via a firmware upgrade.

⁴ Environmental ratings may vary.

Specifications

| Image Performance | | 2.0 MP | 4.0 MP | 6.0 MP | 8.0 MP (4K Ultra HD) |
|---|--------------------|---|--|---|---|
| Image Sensor | | 1/2.8" progressive scan CMOS | | 1/1.8" progressive scan CMOS | |
| Max Resolution (H x V) and Aspect Ratio | Primary | (16:9) 1920 x 1080 | (16:9) 2688 x 1520, 2560 x 1440, 1920 x 1080 (4:3) 1984 x 1488 | (16:9) 3328 x 1872, 3200 x 1800, 2688 x 1520, 2560 x 1440, 1920 x 1080 (4:3) 2880 x 2160, 2304 x 1728, 2048 x 1536 | (16:9) 3840 x 2160, 3328 x 1872, 3200 x 1800, 3072 x 1728 (4:3) 2880 x 2160, 2560 x 1920 |
| | Secondary | (16:9) 1920 x 1080*, 1280 x 720, 768 x 432, 640 x 360, 512 x 288 | (16:9) 2688 x 1520*, 1920 x 1080, 1280 x 720, 768 x 432, 640 x 360, 512 x 288 (4:3) 1984 x 1488*, 1920 x 1440, 1600 x 1200, 1280 x 960, 768 x 576, 640 x 480, 512 x 384, 384 x 288; | (16:9) 3328 x 1872*, 1920 x 1080, 1280 x 720, 768 x 432, 640 x 360, 512 x 288 (4:3) 2880 x 2160*, 1920 x 1440, 1600 x 1200, 1280 x 960, 768 x 576, 640 x 480, 512 x 384, 384 x 288 | (16:9) 3840 x 2160*, 2560 x 1440, 1920 x 1080, 1280 x 720, 768 x 432, 640 x 360, 512 x 288 (4:3) 2880 x 2160*, 2560 x 1920, 2304 x 1728, 1920 x 1440, 1600 x 1200, 1280 x 960, 768 x 576, 640 x 480, 512 x 384 |
| | Tertiary | (16:9) 1280 x 720, 768 x 432, 640 x 360, 512 x 288, 384 x 216 | (16:9) 1280 x 720, 768 x 432, 640 x 360, 512 x 288, 384 x 216 (4:3) 1280 x 960, 800 x 600, 640 x 480, 512 x 384, 368 x 264 | (16:9) 1280 x 720, 768 x 432, 640 x 360, 512 x 288, 384 x 216 (4:3) 1280 x 960, 768 x 576, 640 x 480, 512 x 384, 384 x 288, 368 x 264 | (16:9) 1920 x 1080, 1280 x 720, 768 x 432, 640 x 360, 512 x 288, 384 x 216 (4:3) 1920 x 1440, 1600 x 1200, 1280 x 960, 800 x 600, 640 x 480, 512 x 384, 384 x 288, 368 x 264 |
| | Quaternary | (16:9) 640 x 360, 512 x 288 | (16:9) 640 x 360, 512 x 288 (4:3) 640 x 480, 512 x 384, 384 x 288 | (16:9) 1280 x 720, 768 x 432, 640 x 360, 512 x 288 (4:3) 1280 x 960, 640 x 480, 512 x 384, 384 x 288 | (16:9) 1280 x 720, 768 x 432, 640 x 360, 512 x 288 (4:3) 1280 x 960, 640 x 480, 512 x 384, 384 x 288 |
| Dynamic Range | WDR Off | Up to 83 dB | | | |
| | WDR On (IEC 62676) | Up to 126 dB (dual exposure, 30 fps) Up to 144 dB (triple exposure, 20 fps or less) | Up to 106dB (dual exposure, 30 fps) Up to 136dB (triple exposure, 20 fps or less) | Up to 130dB (dual exposure, 30 fps) | |
| | WDR On | Up to 130 dB (dual exposure, 30 fps) Up to 150 dB (triple exposure, 20 fps or less) | Up to 120dB (dual exposure, 30 fps) Up to 144dB (triple exposure, 20 fps or less) | Up to 144 dB (dual exposure, 20 fps or less) | |
| Max Image Rate | | (50 Hz/60 Hz): 50 fps/60 fps in High Frame Rate Mode ¹ , otherwise 25 fps/30 fps | | (50 Hz/60 Hz): 25 fps/30 fps | |
| Bandwidth Management | | Pelco Smart Compression technology; Idle scene mode | | | |
| Signal-to-Noise Ratio(SNR) | | > 50 dB | | | |

*Only available at half frame rate of the primary stream.

¹ Max Frame Rate of 60 fps is only achievable with High Frame Rate mode enabled. High Frame Rate mode will disable analytics.

| Lens and IR Illumination | | 2.8 - 12 mm | 4.4 - 9.3 mm | 10.9 - 29 mm |
|--|------|---|---|---|
| IR Illumination Max Distance ² (high power 850 nm LEDs) | | 50 m (164 ft) full tele 25 m (82 ft) full wide | 50 m (164 ft) full tele 25 m (82 ft) full wide | 70 m (230 ft) full tele 40 m (131 ft) full wide |
| Minimum Illumination | 2 MP | With IR: 0 lux in monochrome mode Without IR: 0.003 lux in monochrome mode; 0.01 lux in color mode | N/A | With IR: 0 lux in monochrome mode Without IR: 0.004 lux in monochrome mode; 0.01 lux in color mode |
| | 4 MP | N/A | With IR: 0 lux in monochrome mode Without IR: 0.003 lux in monochrome mode; 0.008 lux in | With IR: 0 lux in monochrome mode Without IR: 0.004 lux in monochrome mode; 0.01 lux in color mode |

| Lens and IR Illumination | | 2.8 - 12 mm | 4.4 - 9.3 mm | 10.9 - 29 mm |
|--|--------------------|---|---|---|
| | | | color mode | |
| | 6 MP & 8 MP | N/A | With IR: 0 lux in monochrome mode Without IR: 0.006 lux in monochrome mode; 0.02 lux in color mode | With IR: 0 lux in monochrome mode Without IR: 0.008 lux in monochrome mode; 0.03 lux in color mode |
| Horizontal Angle of View Based on Aspect Ratio | 2 MP | (16:9) 27° - 119° | N/A | (16:9) 11° - 30° |
| | 4 MP | N/A | (16:9) 47° - 111° (4:3) 35° - 78° | (16:9) 15° - 42° (4:3) 11° - 31° |
| | 6 MP & 8MP | N/A | (16:9) 47° - 109° (4:3) 35° - 78° | (16:9) 15° - 42° (4:3) 11° - 31° |
| Vertical Angle of View Based on Aspect Ratio | 2 MP | (16:9) 15° - 64° | N/A | (16:9) 6° - 16.5° |
| | 4 MP & 6 MP & 8 MP | N/A | (16:9) 26° - 57° (4:3) 26° - 57° | (16:9) 9° - 23° (4:3) 9° - 23° |
| Max Aperture | | F1.4 | F1.3 | F1.7 |
| Control | | Remote Zoom and Focus, Autofocus, IR Cut Filter | | |

² IR illumination power may be reduced at higher operating temperatures.

| Image Control | |
|----------------------------|---|
| Image Compression Method | H.264, H.265, Motion JPEG, Pelco Smart Compression |
| Streaming | Multi-stream H.264, Multi-stream H.265, Motion JPEG |
| Motion Detection | Pixel motion: Selectable sensitivity and threshold. Classified object detection |
| Camera Tamper Detection | Yes |
| Electronic Shutter Control | Automatic, Manual (1/7.5 to 1/15000 sec) |
| Iris Control | Automatic, Open, Closed, P-iris |
| Day/Night Control | Automatic, Manual, External |
| Flicker Control | 60 Hz, 50 Hz |
| White Balance | Automatic, Manual |
| Backlight Compensation | Adjustable |
| Image Rotation | 0°, 90°, 180°, 270° including Corridor Mode |
| Privacy Zones | Up to 64 zones |

| Network | |
|-----------------------------|---|
| Network | 100BASE-TX for SRXE4, 1000BASE-T for SRXE4P |
| Cabling | CAT5e |
| Connector | RJ-45 |
| ONVIF | ONVIF® compliance Profile S, Profile T, Profile M and Profile G (www.onvif.org) |
| Security | Password protection, HTTPS encryption, digest authentication, WS authentication, user access log, 802.1x port based authentication, FIPS 140-2 L1 (with optional camera license), onboard FIPS 140-2 L3 certified TPM, Secure Boot, Signed and encrypted firmware |
| Protocols | IPv6, IPv4, HTTP, HTTPS, SOAP, DNS, NTP, RTSP, RTCP, RTP, TCP, UDP, IGMPv3, ICMP, DHCP, Zeroconf, HSTS |
| Streaming Protocols | RTP/UDP, RTP/UDP multicast, RTP/RTSP/TCP, RTP/RTSP/HTTP/TCP, RTP/RTSP/HTTPS/TCP, HTTP |
| Device Management Protocols | SNMP v2c, SNMP v3 |

| Peripherals | |
|------------------------------|---|
| USB Port | USB 2.0 |
| Onboard Storage ³ | Two microSD/microSDHC/microSDXC slots - video speed class card required. Class V10 or better recommended. |

³ Tested maximum capacity is 1.5TB.

| Auxiliary I/O | |
|--------------------------|---|
| Audio Compression Method | G.711 PCM 8 kHz, Opus |
| Audio Input/Output | Line level input and output |
| External I/O Terminals | 1 x Relay In, 1 x Relay Out, 1 x 12 VDC out at 50 mA |
| Microphone | Built-in microphone for audio analytics, for certain variants, with physical disable switch |

| Mechanical | | Surface Mount | In-Ceiling mount | Pendant Mount |
|---------------------------------|--------------|--|---|--|
| Dimensions (DxH) | | 182 mm x 132 mm; 7.16" x 5.19" | 219 mm x 198 mm; 8.62" x 7.79" | 182 mm x 203 mm; 7.16" x 7.99" |
| Accessory Only Dimensions (DxH) | | N/A | 219 mm x 115 mm; 8.62" x 4.52" | 155 mm x 78 mm; 6.10" x 3.07" |
| Weight | Indoor Dome | 1.28 kg; 2.82 lbs | 1.83 kg; 4.03 lbs | 1.61 kg; 3.55 lbs |
| | Outdoor Dome | 1.62 kg; 3.57 lbs | 1.99 kg; 4.38 lbs | 1.95 kg; 4.30 lbs |
| Dome Bubble | | Polycarbonate | Polycarbonate | Polycarbonate |
| Body | | Polycarbonate and aluminum | Polycarbonate and aluminum | Polycarbonate and aluminum |
| Housing | | Surface mount | Recessed mount | Pendant mount |
| Finish | Indoor Dome | Plastic injection mold grey (Pantone 427C) | Plastic injection mold grey (Pantone 427C) & Powdercoat black | Powdercoat grey & plastic injection mold grey (Pantone 427C) |
| | Outdoor Dome | Powdercoat grey (Pantone 427C) | Plastic injection mold grey (Pantone 427C) & Powdercoat black | Powdercoat grey (Pantone 427C) |
| Adjustment Range | | Pan 360°, Azimuth 349°, Tilt 92° | | |

| Electrical | | |
|--------------------------|------|---|
| Power Consumption | | 25W (18W with no IR or IR disabled) |
| Power Source | PoE | IEEE 802.3af Class 3 |
| | PoE+ | IEEE 802.3at Class 4 |
| IR Illumination Behavior | PoE | IR illuminator will turn off if the temperature is 65°C (149°F) or higher. The illuminator will operate at 50% power and 25% power if below -25°C (-13°F) |
| | PoE+ | IR illuminator will turn off if the temperature is 65°C (149°F) or higher. The illuminator will operate at 50% power if the temperature is between 55°C (131°F) and 65°C (149°F) and 50% power if below -25°C (-13°F) |
| External Power | | 12-24 VDC +/-10% |
| RTC Backup Battery | | 3V manganese lithium |
| Memory | | 4GB RAM, 4GB Flash |
| Redundant Power | | Seamless failover between PoE and Aux and back without interrupt in camera operation (for SRXE4P only) |

| Environmental | | Indoor Dome | Outdoor Dome |
|------------------------------|-----------------------------|--|--|
| Operating Temperature | PoE | -10°C to +55°C (-14°F to 131°F) | -30°C to +65°C (-22°F to 149°F) with IEEE 802.3af Class 3 (13W PoE) |
| | With External Power or PoE+ | -10°C to +55°C (-14°F to 131°F) | -50°C to +65°C (-58°F to 149°F) with external power or IEEE 802.3at Class 4 (25.5W PoE+) |
| Startup Temperature | PoE | -10°C to +55°C (-14°F to 131°F) | -30°C to +65°C (-22°F to 149°F) with IEEE 802.3af Class 3 (13W PoE) |
| | With External Power or PoE+ | -10°C to +55°C (-14°F to 131°F) | -40°C to +65°C (-40°F to 149°F) with external power or IEEE 802.3at Class 4 (25.5W PoE+) |
| Absolute Maximum Temperature | | 74 °C (165 °F) per NEMA TS2 (Temp.) para 2.2.7.2 - 2.2.7.7 | |
| Storage Temperature | | -10°C to +70°C (14°F to 158°F) | |
| Humidity | | 0 - 95% non-condensing | |

| Certifications | |
|--------------------------|--|
| Certifications/Approvals | UL, cUL, CE, ROHS, RCM, UKCA, NOM, KC, BIS |

| Certifications | | |
|-------------------------------------|--------------|---|
| Safety Standards | | UL 62368-1, CSA 62368-1, IEC/EN 62368-1, IEC 62471, UL 2043 Plenum (in-ceiling only) |
| Environmental Standards/Ratings | Indoor Dome | IEC 60529 IP54, IEC/EN 62262 IK11 (IK10 Surface Mount w/IR) |
| | Outdoor Dome | IEC 60529 IP66, IP67, IP68 (2m depth for 2 hours), IPX9K, NEMA 4X, IEC 60068-2 Shock & Vibration, NEMA TS2 Sec 2.2.7-2.2.9, IK11 |
| Electromagnetic Emissions Standards | | FCC Part 15 Subpart B Class B, ICES-003 Class B, EN 55032 Class B, EN 61000-6-3, EN 61000-3-2, EN 61000-3-3, EN 50121-4, EN 50130-4 |
| Electromagnetic Immunity Standards | | EN 55035, EN 61000-6-1, EN 50121-4, EN 50130-4 |
| Warranty | | Limited 5 Year Warranty ¹ |

¹ For more information on the warranty, see [Product Warranty Terms](#).

Analytics Specifications

| Supported Analytics Events | |
|-------------------------------|--|
| Objects in Area | The event is triggered when the selected object type moves into the region of interest. This event can be used to count objects. |
| Object Loitering | The event is triggered when the selected object type moves into the region of interest and then stays for an extended amount of time. |
| Objects Crossing Beam | The event is triggered when the specified number of objects have crossed the directional beam that is configured over the camera's field of view. The beam can be unidirectional or bidirectional. |
| Object Appears or Enters Area | The event is triggered by each object that enters the region of interest. |
| Object Not Present in Area | The event is triggered when no objects are present in the region of interest. |
| Objects Enter Area | The event is triggered when the specified number of objects have entered the region of interest. |
| Objects Leave Area | The event is triggered when the specified number of objects have left the region of interest. |
| Object Stops in Area | The event is triggered when an object moves into a region of interest and then stops moving for the specified threshold time. |
| Direction Violated | The event is triggered when an object moves in the prohibited direction of travel. |
| Smart Motion Rule | Events are sent for person (including crawling) and vehicle present, against default unchangeable parameters |
| Tamper Detection | The event is triggered when the scene unexpectedly changes. |
| Crowd Size | This event is triggered when the number of people is exceeded over a configurable duration. |
| Unusual Crowd Growth | This event is triggered when a crowd size grows unexpectedly. |
| Unusual Crowd Size | This event is triggered when an unusual crowd size is detected. |

Analytics capabilities, including detection range, may vary by camera line. Please consult the Pelco Smart Analytics Design Guide for details specific to the Sarix Enhanced 4 Series.

| Supported Classified Object Types | |
|-----------------------------------|---|
| Object Types in Outdoor Mode | Vehicle, sub-types: Car, Pickup Truck, Large TruckVan, Bicycle, Motorcycle, Bus Person |
| Object Types in Indoor Mode | Person |

| Supported Audio Analytics Events | |
|----------------------------------|------------------|
| Gunshot ¹ | Up to 100 meters |
| Scream | Up to 15 meters |
| Glass Break | Up to 15 meters |
| Car Alarm | Up to 30 meters |
| Smoke Alarm | Up to 15 meters |
| Dog Bark | Up to 15 meters |

Supported Audio Analytics Events

Loud Noise Up to 40 meters

Ultrasonic Panic Alarm² Up to 40 meters

¹ Optional add-on license required.

² The detection range is influenced by the quality and power of the device used to create the panic alarm.

Pelco Elevate Supported Features

Image Health Detects incremental changes in the camera's view, such as position shifts or obstructions. Notifies users through ONVIF conformant events and summarized email reports.

VideoXpert Supported Features

3.22 Support for video analytic events without vehicle sub-classes.

3.23 or higher Support for crowd detection, audio analytics and video analytic events with vehicle sub-classes.

Pelco Connect Supported Features

Genetec Support for Pelco Forensic Search and Analytics Configuration with the Genetec plugin.

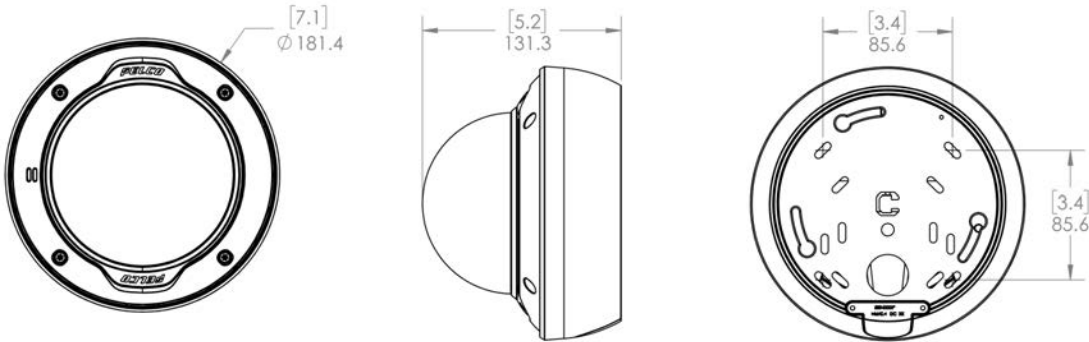
Milestone Support for Pelco Forensic Search and Analytics Configuration with the Milestone plugin.

Outline Dimensions

Dome Camera with Surface Mount

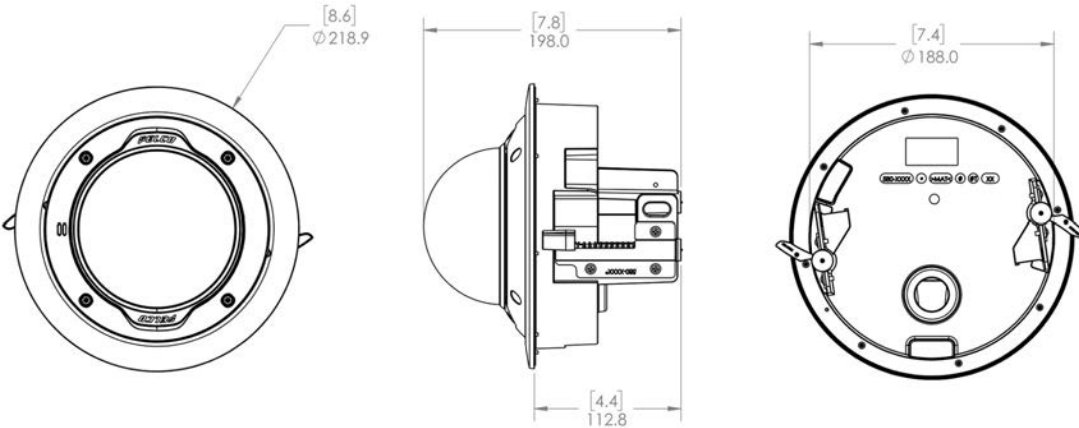
(SRXE4 Dome camera + provided surface mount)

| [X.X] | INCHES |
|-------|--------|
| X | MM |



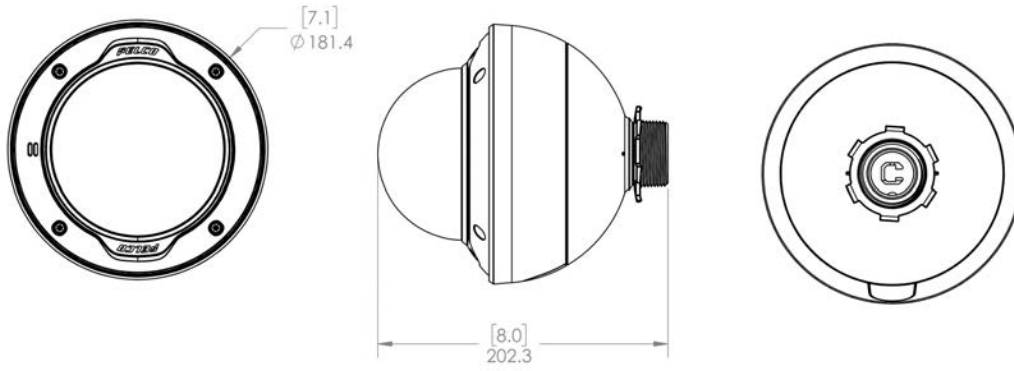
Dome Camera with In-Ceiling Mount

(SRXE4 Dome camera + CLADP-1001)



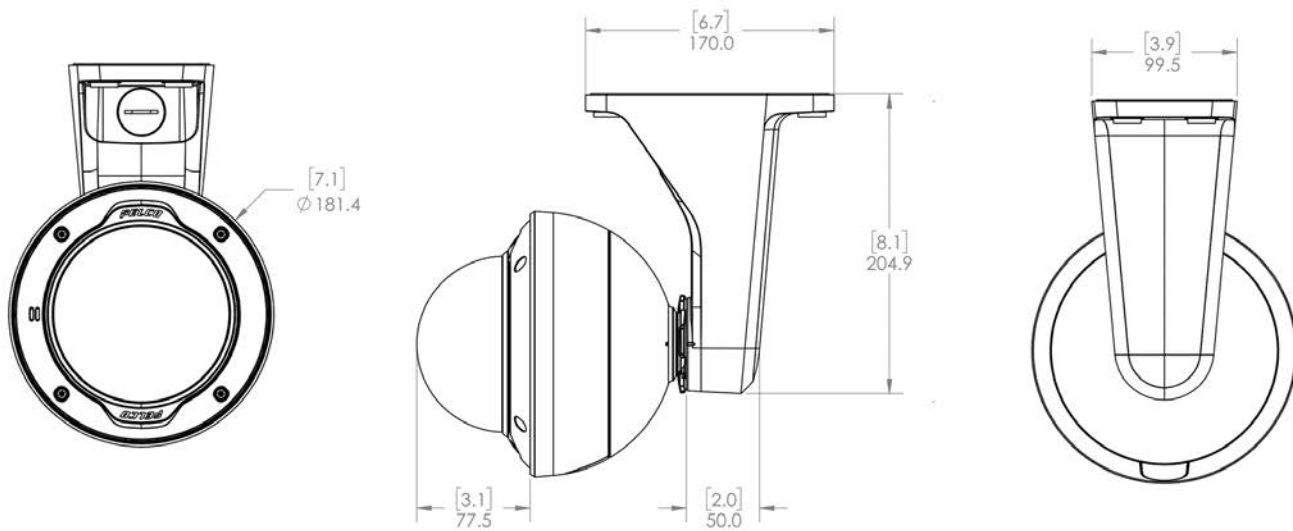
Dome Camera With NPT Adapter

(SRXE4 Dome camera + SRXE4-PM-1E)







Dome Camera With NPT Adapter and Pendant wall mount

(SRXE4 Dome camera + SRXE4-PM-1E + WLMT-1021)



Ordering Information

| Mounting Scenario | | Ordering information |
|--------------------|---|--|
| Pendant Wall Mount |  | <p>Order one of:</p> <ul style="list-style-type: none"> ■ Indoor or outdoor surface mount camera ■ SRXE4-PM-1E ■ WLMT-1021 <p>Optional:</p> <ul style="list-style-type: none"> ■ PLMT-1001 (Pole mount adapter) ■ CRNMT-1001 (Corner mount adapter) |
| Pendant NPT Mount |  | <p>Order one of:</p> <ul style="list-style-type: none"> ■ Indoor or outdoor surface mount camera ■ SRXE4-PM-1E |
| Surface mount |  | <p>Order one of:</p> <ul style="list-style-type: none"> ■ Indoor or outdoor surface mount camera <p>Optional:</p> <ul style="list-style-type: none"> ■ DMSLD-1001 (weathershield) |
| In-Ceiling Mount |  | <p>Order one of:</p> <ul style="list-style-type: none"> ■ Indoor or outdoor in-ceiling mount camera ■ CLADP-1001 <p>Optional:</p> <ul style="list-style-type: none"> ■ CLPNL-1011 (metal ceiling panel) |

Outdoor Dome Camera

(SRXE4)

| | MP | WDR | SureVision Technology | Lens | IR | Analytics | Smart Compression | Microphone | Seamless Failover |
|--------------------|-----|-----|-----------------------|--------------|----|-----------|-------------------|------------|-------------------|
| SRXE4-2V12-EMD-1 | 2.0 | ✓ | ✓ | 2.8 - 12 mm | | ✓ | ✓ | ✓ | |
| SRXE4-2V29-EMD-1 | 2.0 | ✓ | ✓ | 10.9 - 29 mm | | ✓ | ✓ | ✓ | |
| SRXE4-2V12-EMD-IR1 | 2.0 | ✓ | ✓ | 2.8 - 12 mm | ✓ | ✓ | ✓ | ✓ | |
| SRXE4-2V29-EMD-IR1 | 2.0 | ✓ | ✓ | 10.9 - 29 mm | ✓ | ✓ | ✓ | ✓ | |
| SRXE4-4V9-EMD-1 | 4.0 | ✓ | ✓ | 4.4 - 9.3 mm | | ✓ | ✓ | ✓ | |
| SRXE4-4V29-EMD-1 | 4.0 | ✓ | ✓ | 10.9 - 29 mm | | ✓ | ✓ | ✓ | |
| SRXE4-4V9-EMD-IR1 | 4.0 | ✓ | ✓ | 4.4 - 9.3 mm | ✓ | ✓ | ✓ | ✓ | |
| SRXE4-4V29-EMD-IR1 | 4.0 | ✓ | ✓ | 10.9 - 29 mm | ✓ | ✓ | ✓ | ✓ | |
| SRXE4-6V9-EMD-1 | 6.0 | ✓ | ✓ | 4.4 - 9.3 mm | | ✓ | ✓ | ✓ | |
| SRXE4-6V29-EMD-1 | 6.0 | ✓ | ✓ | 10.9 - 29 mm | | ✓ | ✓ | ✓ | |
| SRXE4-6V9-EMD-IR1 | 6.0 | ✓ | ✓ | 4.4 - 9.3 mm | ✓ | ✓ | ✓ | ✓ | |
| SRXE4-6V29-EMD-IR1 | 6.0 | ✓ | ✓ | 10.9 - 29 mm | ✓ | ✓ | ✓ | ✓ | |
| SRXE4-8V9-EMD-1 | 8.0 | ✓ | ✓ | 4.4 - 9.3 mm | | ✓ | ✓ | ✓ | |
| SRXE4-8V29-EMD-1 | 8.0 | ✓ | ✓ | 10.9 - 29 mm | | ✓ | ✓ | ✓ | |
| SRXE4-8V9-EMD-IR1 | 8.0 | ✓ | ✓ | 4.4 - 9.3 mm | ✓ | ✓ | ✓ | ✓ | |
| SRXE4-8V29-EMD-IR1 | 8.0 | ✓ | ✓ | 10.9 - 29 mm | ✓ | ✓ | ✓ | ✓ | |

(SRXE4P)

| | MP | WDR | SureVision Technology | Lens | IR | Analytics | Smart Compression | Microphone | Seamless Failover |
|---------------------|-----|-----|-----------------------|--------------|----|-----------|-------------------|------------|-------------------|
| SRXE4P-4V9-EMD-IR1 | 4.0 | ✓ | ✓ | 4.4 - 9.3 mm | ✓ | ✓ | ✓ | | ✓ |
| SRXE4P-4V29-EMD-IR1 | 4.0 | ✓ | ✓ | 10.9 - 29 mm | ✓ | ✓ | ✓ | | ✓ |
| SRXE4P-8V9-EMD-IR1 | 8.0 | ✓ | ✓ | 4.4 - 9.3 mm | ✓ | ✓ | ✓ | | ✓ |
| SRXE4P-8V29-EMD-IR1 | 8.0 | ✓ | ✓ | 10.9 - 29 mm | ✓ | ✓ | ✓ | | ✓ |

Indoor Dome Camera

(SRXE4)

| | MP | WDR | SureVision Technology | Lens | IR | Analytics | Smart Compression | Microphone | Seamless Failover |
|--------------------|-----|-----|-----------------------|--------------|----|-----------|-------------------|------------|-------------------|
| SRXE4-2V12-IMD-1 | 2.0 | ✓ | ✓ | 2.8 - 12 mm | | ✓ | ✓ | ✓ | |
| SRXE4-2V29-IMD-1 | 2.0 | ✓ | ✓ | 10.9 - 29 mm | | ✓ | ✓ | ✓ | |
| SRXE4-2V12-IMD-IR1 | 2.0 | ✓ | ✓ | 2.8 - 12 mm | ✓ | ✓ | ✓ | ✓ | |
| SRXE4-2V29-IMD-IR1 | 2.0 | ✓ | ✓ | 10.9 - 29 mm | ✓ | ✓ | ✓ | ✓ | |
| SRXE4-4V9-IMD-1 | 4.0 | ✓ | ✓ | 4.4 - 9.3 mm | | ✓ | ✓ | ✓ | |
| SRXE4-4V29-IMD-1 | 4.0 | ✓ | ✓ | 10.9 - 29 mm | | ✓ | ✓ | ✓ | |
| SRXE4-4V9-IMD-IR1 | 4.0 | ✓ | ✓ | 4.4 - 9.3 mm | ✓ | ✓ | ✓ | ✓ | |
| SRXE4-4V29-IMD-IR1 | 4.0 | ✓ | ✓ | 10.9 - 29 mm | ✓ | ✓ | ✓ | ✓ | |
| SRXE4-6V9-IMD-1 | 6.0 | ✓ | ✓ | 4.4 - 9.3 mm | | ✓ | ✓ | ✓ | |
| SRXE4-6V29-IMD-1 | 6.0 | ✓ | ✓ | 10.9 - 29 mm | | ✓ | ✓ | ✓ | |
| SRXE4-6V9-IMD-IR1 | 6.0 | ✓ | ✓ | 4.4 - 9.3 mm | ✓ | ✓ | ✓ | ✓ | |
| SRXE4-6V29-IMD-IR1 | 6.0 | ✓ | ✓ | 10.9 - 29 mm | ✓ | ✓ | ✓ | ✓ | |
| SRXE4-8V9-IMD-1 | 8.0 | ✓ | ✓ | 4.4 - 9.3 mm | | ✓ | ✓ | ✓ | |
| SRXE4-8V29-IMD-1 | 8.0 | ✓ | ✓ | 10.9 - 29 mm | | ✓ | ✓ | ✓ | |
| SRXE4-8V9-IMD-IR1 | 8.0 | ✓ | ✓ | 4.4 - 9.3 mm | ✓ | ✓ | ✓ | ✓ | |
| SRXE4-8V29-IMD-IR1 | 8.0 | ✓ | ✓ | 10.9 - 29 mm | ✓ | ✓ | ✓ | ✓ | |

Dome Camera Accessories

| | |
|-----------------|---|
| SRXE4-PM-1E | Pendant NPT adapter |
| WLMT-1021 | Pendant wall arm, 1.5" NPT female, 20 cm (7.8") long |
| CLADP-1001 | In-Ceiling adapter |
| CLPNL-1011 | Metal ceiling panel for suspended ceiling installations |
| DMSLD-1001 | Weathershield for dome cameras |
| DMBBL-1001 | Replacement clear dome bubble |
| DMBBL-1011 | Replacement IR dome bubble |
| DMSBL-1001 | Optional smoked dome bubble, not compatible with the IR cameras |
| CBLKIT-1011 | USB adapter cable, for use with USB-AC56 Wifi install kit |
| USB-AC56-NA-MSI | USB Wifi adapter install kit (North America) |
| USB-AC56-EU-MSI | USB Wifi adapter install kit (Europe) |
| GROM-1001 | Camera sealing grommet, pack of 10 |
| GROM-1011 | Pipe sealing grommet, pack of 10 |
| PLMT-1001 | Pole mount adapter |
| CRNMT-1001 | Corner mount adapter |
| CAM-FIPS | Camera license to enable FIPS cryptographic module. |

Support

Learn more and find additional documentation at pelco.com or email support@pelco.com for specific product support.



May 2024 | | Rev 3

© 2024, Motorola Solutions, Inc. All rights reserved. MOTOROLA, MOTO, MOTOROLA SOLUTIONS, and the Stylized M Logo are trademarks or registered trademarks of Motorola Trademark Holdings, LLC and are used under license. Pelco, the Pelco logo, and other trademarks associated with Pelco products referred to in this publication are trademarks of Pelco, Inc. or its affiliates. All other product names and services are the property of their respective companies. Product specifications and availability are subject to change without notice.