



## Product Data Sheet

# DC101

Surface mount contact wired

### DC101-Series

The DC101-Series surface mount magnetic contacts are designed for use in installations where a small, sealed unit is required. The reed switch is totally encapsulated in an exclusive polyurethane potting compound preventing moisture from entering the switch and causing false alarms.

### Easy installation

The 16 mm standard gap distance allows for fast, easy installation and prevents false alarms from loose fitting doors. Recessed mounting holes make for clean-looking installations.

### High Quality components and materials

Reed legs are plated with rhodium or ruthenium, and hermetically sealed in dry nitrogen. This offers superior protection against sticking and provides a moisture free environment therefore preventing corrosion.



### Standard Features

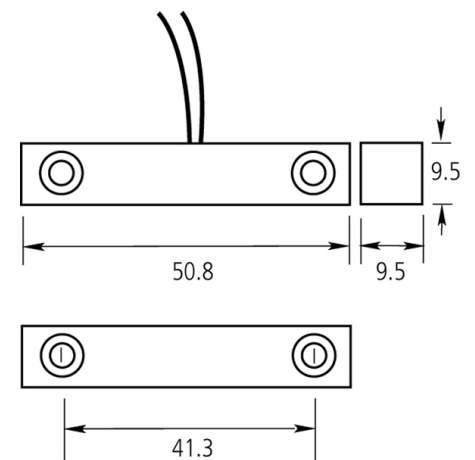
- Convenient surface mounting
- Standard 2 m wire length
- Tamper loop provided
- Neat and tidy design

# DC101

## Surface mount contact wired

### Specifications

Operating gap	15 mm (max.)
Connections	4 wires, 2 m
Contact type	NC
Dimensions (W x H x D)	51 x 9 x 9 mm
Colour	White



### Ordering Information

Part No.	Description
DC101	Surface mount contact wired
DC101B	Surface mount contact wired - brown
DC101R4.7	Surface mount contact wired with 4.7K resistor
DC101S60	Surface mount contact wired - 6m cable
DC101BS60	Surface mount contact wired - brown - 6m Cable
DC103	Surface mount contact wired - biased
DC103R4.7	Surface mount contact wired - biased with 4.7K Resistor
DC103S60	Surface mount contact wired - biased - 6m cable
DC1901	Empty shell for DC101, DC103, DC105
DC1906	Spacer for DC101, DC103, DC105
DC1906B	Spacer for DC101, DC103, DC105 - brown

